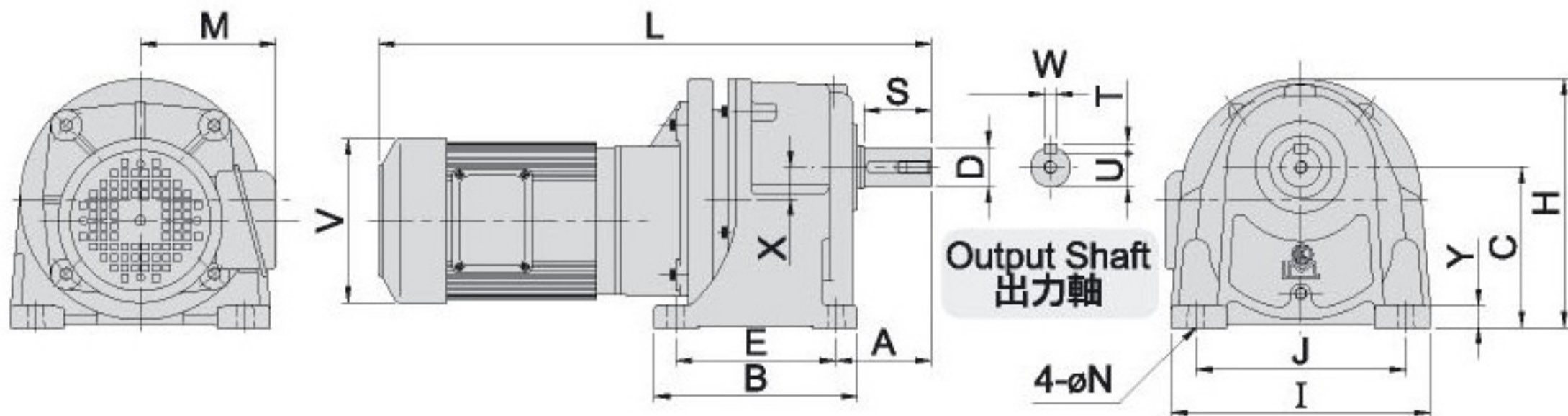


■ 臥式高速比多段減速機

HORIZONTAL, HIGH GEAR RATION & MULTI-STAGE REDUCER

■ MODEL: LK-SHLS



尺寸表 Dimension

單位：m/m

| 馬達容量 Motor Capacity | 型號 Model No. | 減速比 Gear Ratio | A | E | B | J | I | C | H | Y | N | X | L | M | V | 出力軸 Output Shaft | | | | | 重量 Weight (kg)約 |
|---------------------------|--------------------|----------------------|-------|-----|-----|-----|-----|-----|-----|----|----|----|-----|-----|-----|------------------|----|----|---|------|-----------------------|
| | | | | | | | | | | | | | | | | D | S | W | T | U | |
| 60 W | 11 | 1/2000 以上 | 58 | 65 | 90 | 130 | 155 | 95 | 145 | 13 | 9 | 18 | 373 | 95 | 98 | 22 | 40 | 7 | 7 | 18 | 10 |
| 90 W | 11 | | 58 | 65 | 90 | 130 | 155 | 95 | 145 | 13 | 9 | 18 | 388 | 95 | 98 | 22 | 40 | 7 | 7 | 18 | 10 |
| 0.1 KW 1/8HPx4P | 12 | | 66 | 90 | 120 | 140 | 180 | 115 | 175 | 15 | 11 | 23 | 415 | 100 | 119 | 28 | 45 | 7 | 7 | 24 | 12 |
| 0.2 KW 1/4HPx4P | 13 | | 78 | 130 | 165 | 170 | 210 | 130 | 202 | 18 | 13 | 26 | 449 | 110 | 133 | 32 | 55 | 10 | 8 | 27 | 18 |
| 0.4 KW 1/2HPx4P | 14 | | 95 | 150 | 195 | 210 | 255 | 150 | 240 | 20 | 15 | 28 | 515 | 115 | 147 | 40 | 65 | 10 | 8 | 35 | 35 |
| 0.75 KW 1HPx4P | 15 | 1/700以上 | 115.5 | 170 | 230 | 265 | 330 | 185 | 293 | 25 | 19 | 38 | 579 | 135 | 161 | 50 | 80 | 14 | 9 | 44.5 | 58 |

註：多速比減速機以定轉速設計，請參考齒箱最大容許扭力。 Note: This multistage gear reducer is designed to rotate at fixed speed. Please refer to the maximum allowable torque of the gear box.